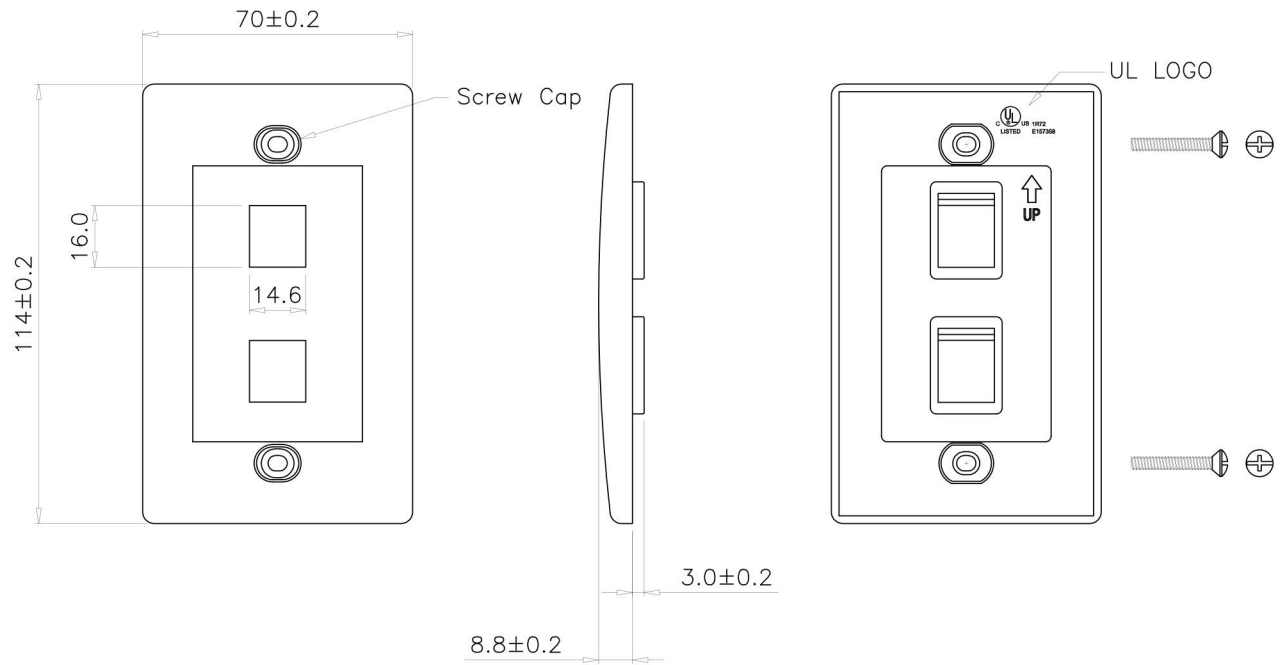


SCALE 1/2



Specification :

1. Material : ABS UL 94V-0.
2. Screw : 6 # x 25.
3. Screw Caps : ABS UL 94V-0.

GENERAL TOLERANCE OF DIMENSIONS x.xxx ±0.005 x.xx ±0.05 x.x ±0.1	DRAWING	27.FEB.2004	Nick	ConnEX
	CHECK	27.FEB.2004	Jaimy	
	APPROVAL	27.FEB.2004	Magic	
	DATE	NAME	ITEM NO.: NTL-P2-WH	
SCALE	1/2 (A4)	UNIT	mm	DES.: Flush Plate, 2 Port, Vertical
	DRAWING NO. NTL-P2-WH			SHEET 1 OF 1
	DRAWING CLASSIFICATION			

